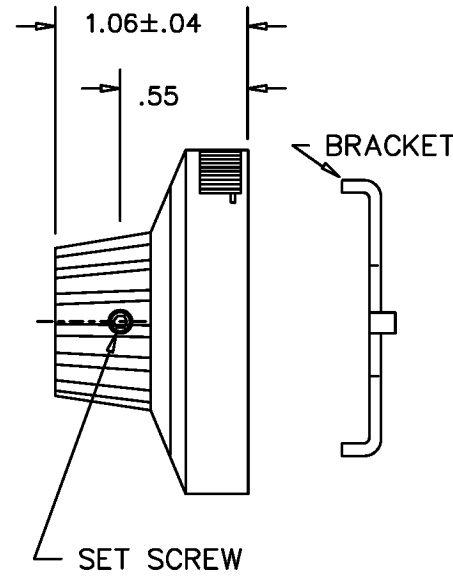
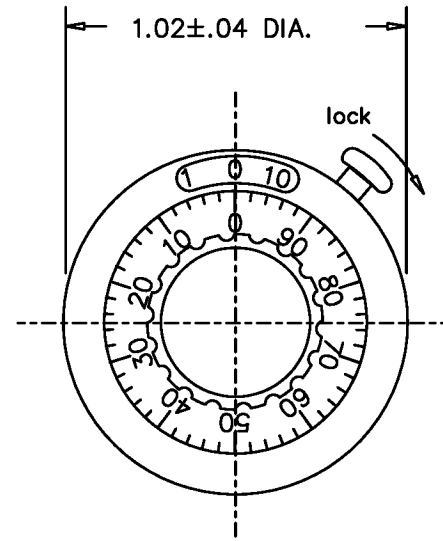


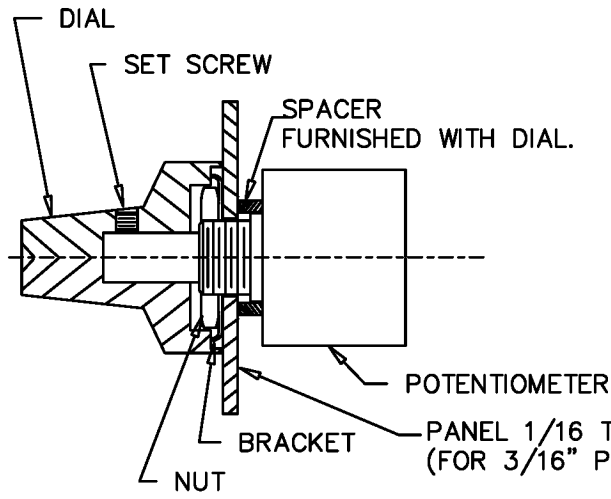
MOUNTING METHOD

SPECIFICATIONS

- NUMBER OF TURNS ————— UP TO 10
- NUMBER OF GRADUATIONS — 50 PER TURN
- SHAFT MTG. DIA. ————— SEE CHART
- LOCK DEVICE ————— OVER THE CENTER ACTION
- OPERATING TEMPERATURE — -30°C TO +60°C



MODEL	MATCHING SHAFT SIZE	COLOR	LOCK
MB25N-1/8	1/8	SATIN (WHITE NUMBERS)	NO
MB25N-1/4	1/4	SATIN (WHITE NUMBERS)	
MB25N-6MM	6MM	SATIN (WHITE NUMBERS)	
MBA25N-1/8	1/8	BLACK (WHITE NUMBERS)	NO
MBA25N-1/4	1/4	BLACK (WHITE NUMBERS)	
MBA25N-6MM	6MM	BLACK (WHITE NUMBERS)	
MB25L-1/8	1/8	SATIN (WHITE NUMBERS)	YES
MB25L-1/4	1/4	SATIN (WHITE NUMBERS)	
MB25L-6MM	6MM	SATIN (WHITE NUMBERS)	
MBA25L-1/8	1/8	BLACK (WHITE NUMBERS)	YES
MBA25L-1/4	1/4	BLACK (WHITE NUMBERS)	
MBA25L-6MM	6MM	BLACK (WHITE NUMBERS)	



Precision Sales Inc  
[www.precisionsales.com](http://www.precisionsales.com)  
[eparts@precisionsales.com](mailto:eparts@precisionsales.com)  
 610-359-1002